

## GLOBAL STYLE SAFETY LIMIT SWITCHES (PLASTIC BODIED EN50047 TYPE) SND4 SERIES (SINGLE CONDUIT ENTRY)

*SUNS products are safe and reliable products which are widely used in various mechanical devices.*



### Features

- Glass fiber reinforced plastic body
- Easily interchangeable contact block
- Galvanically separated contacts
- Screw terminals with self-lifting clamps for easy wiring
- Positive Opening of NC contacts
- 4 x 90° actuator positions
- Cable entry available: M20, PG13.5 and 1/2"NPT
- Conform to EN 50047 standard

### Definitions of Operating Characteristics

- OF Operating Force
- RF Releasing Force
- OT Overtravel
- TT Total Travel
- PT Pretravel
- MD Movement Differential
- OP Operating Position
- PO Travel to Positive Opening



### Specifications

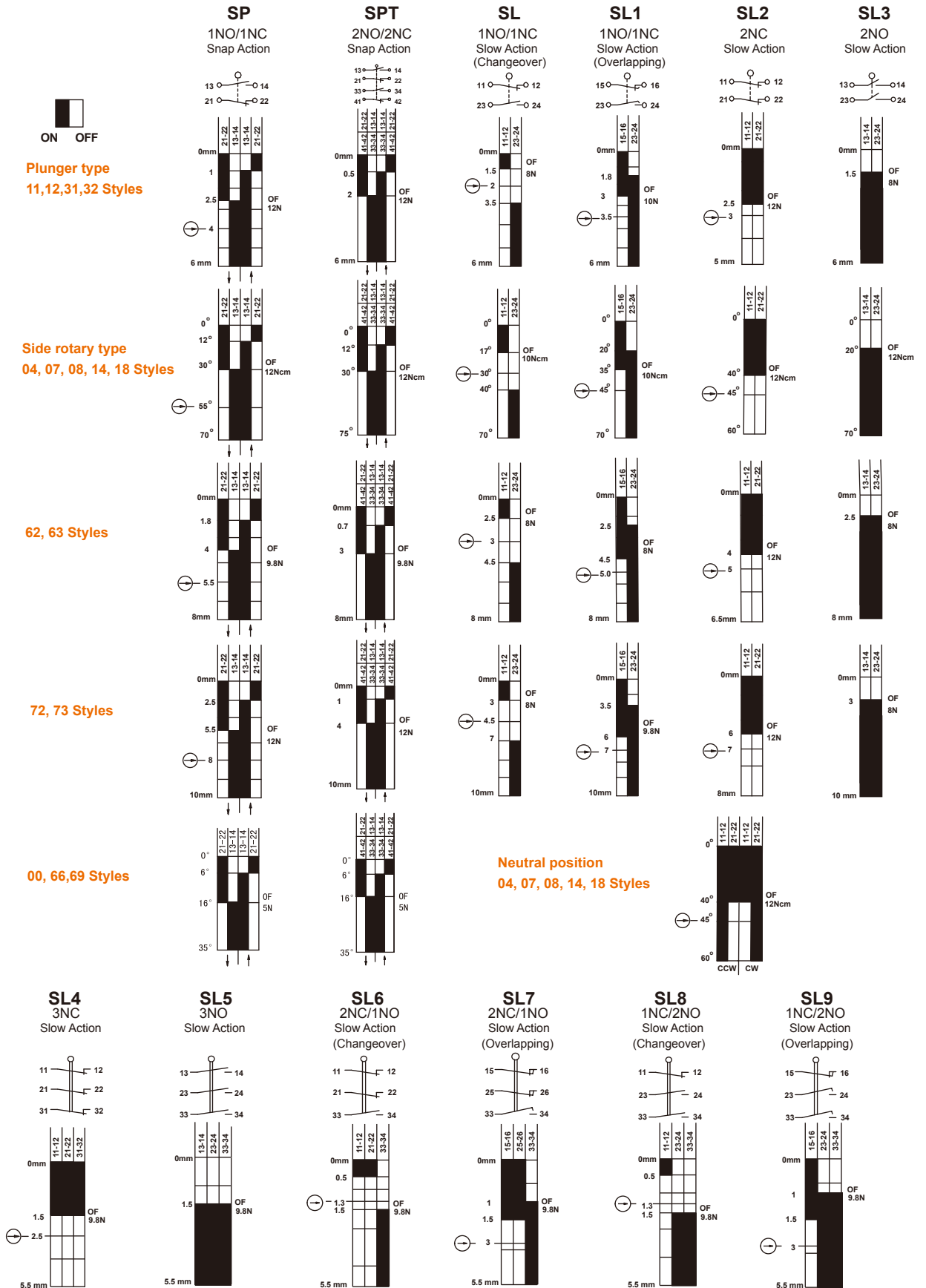
Operating Speed	0.05mm-2m/sec
Operating Frequency	Mechanical: 120ops/min Electrical: 30 ops/min
Insulation Resistance	>100MΩ@500V DC
Contact Resistance	<25mΩ (initial value)
Rated Thermal Current	10A/600V AC (EN60947-5-1) AC15 A600 / DC13 Q300
Dielectric Strength	1000VAC for 1 min between current carrying parts 2500VAC for 1 min between non-current carrying parts
Service Life	Mechanically 1.0 x10 <sup>7</sup> (operations) Electrically 5 x10 <sup>5</sup> (operations)
Operating Temperature	-25~+80°C (-13~176°F) with no icing
Humidity	< 95%RH
Weight	50-100g
Degree of Protection	IP67

### Selection Guide:

<b>SND41</b>	<b>04</b>	<b>SP</b>	<b>C</b>	-	<b>R</b>	-	<b>K</b>
Body Styles	Head Styles	<ul style="list-style-type: none"> <li>— SP: 1NO/1NC Snap action</li> <li>— SPT: 2NO/2NC Snap action</li> <li>— SL: BBM 1NO/1NC Slow Action changeover</li> <li>— SL1: MBB 1NO/1NC Slow Action Overlapping</li> <li>— SL2: 2NC Slow Action</li> <li>— SL3: 2NO Slow Action</li> <li>— SL4: 3NC Slow Action</li> <li>— SL5: 3NO Slow Action</li> <li>— SL6: BBM 2NC/1NO Slow Action changeover</li> <li>— SL7: MBB 2NC/1NO Slow Action Overlapping</li> <li>— SL8: BBM 2NO/1NC Slow Action changeover</li> <li>— SL9: MBB 2NO/1NC Slow Action Overlapping</li> </ul>	Conduits				Gold Contact (Optional)
			<ul style="list-style-type: none"> <li>— A: 1/2"NPT</li> <li>— B: PG13.5</li> <li>— C: M20</li> <li>— D: M16</li> <li>— B1: PG11</li> </ul>		Blank		
					R: with Reset		
					N: Neutral position (for rotary SL2 only)		

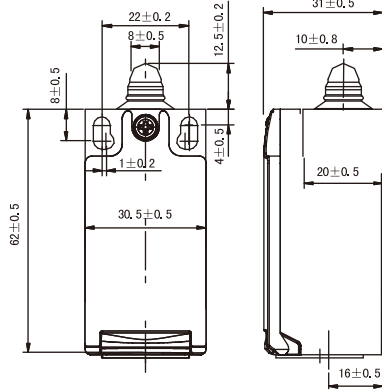
## GLOBAL STYLE SAFETY LIMIT SWITCHES (PLASTIC BODIED EN50047 TYPE) SND4 SERIES (SINGLE CONDUIT ENTRY)

Available contact blocks and travel diagrams



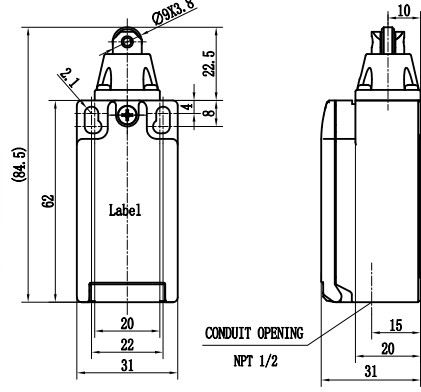
## GLOBAL STYLE SAFETY LIMIT SWITCHES (PLASTIC BODIED EN50047 TYPE) SND4 SERIES (SINGLE CONDUIT ENTRY)

### SND4111



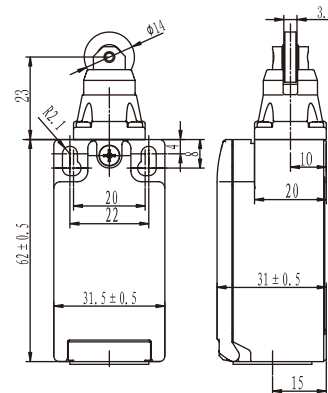
Order Code	Contact block			
SND4111-SP- _	SP	⊕	snap action	1NO+1NC
SND4111-SL- _	SL	⊕	slow action	1NO+1NC BBM
SND4111-SL1- _	SL1	⊕	slow action	1NO+1NC MBB
SND4111-SL2- _	SL2	⊕	slow action	2NC

### SND4112



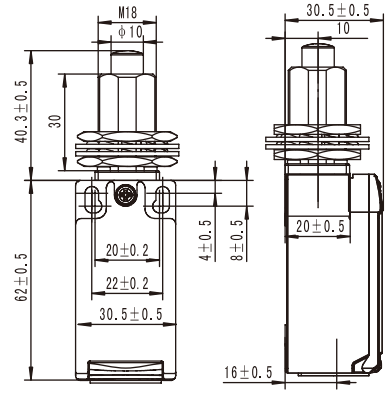
Order Code	Contact block			
SND4112-SP- _	SP	⊕	snap action	1NO+1NC
SND4112-SL- _	SL	⊕	slow action	1NO+1NC BBM
SND4112-SL1- _	SL1	⊕	slow action	1NO+1NC MBB
SND4112-SL2- _	SL2	⊕	slow action	2NC

### SND4112-L



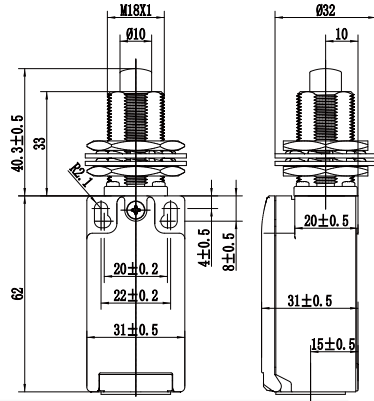
Order Code	Contact block			
SND4112-SP- _L	SP	⊕	snap action	1NO+1NC
SND4112-SL- _L	SL	⊕	slow action	1NO+1NC BBM
SND4112-SL1- _L	SL1	⊕	slow action	1NO+1NC MBB
SND4112-SL2- _L	SL2	⊕	slow action	2NC

### SND4131



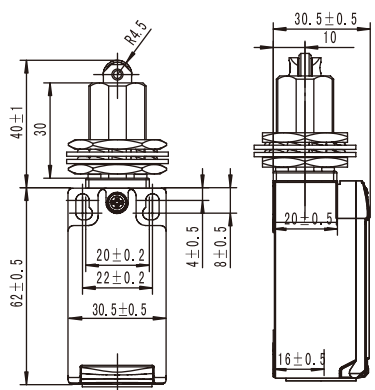
Order Code	Contact block			
SND4131-SP- _	SP	⊕	snap action	1NO+1NC
SND4131-SL- _	SL	⊕	slow action	1NO+1NC BBM
SND4131-SL1- _	SL1	⊕	slow action	1NO+1NC MBB
SND4131-SL2- _	SL2	⊕	slow action	2NC

### SND4131-P



Order Code	Contact block			
SND4131-SP- _-P	SP	⊕	snap action	1NO+1NC
SND4131-SL- _-P	SL	⊕	slow action	1NO+1NC BBM
SND4131-SL1- _-P	SL1	⊕	slow action	1NO+1NC MBB
SND4131-SL2- _-P	SL2	⊕	slow action	2NC

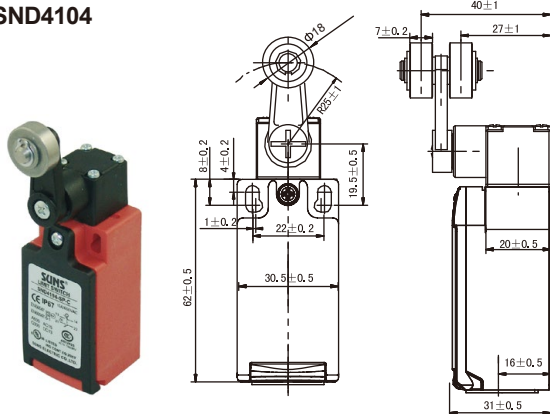
### SND4132



Order Code	Contact block			
SND4132-SP- _	SP	⊕	snap action	1NO+1NC
SND4132-SL- _	SL	⊕	slow action	1NO+1NC BBM
SND4132-SL1- _	SL1	⊕	slow action	1NO+1NC MBB
SND4132-SL2- _	SL2	⊕	slow action	2NC

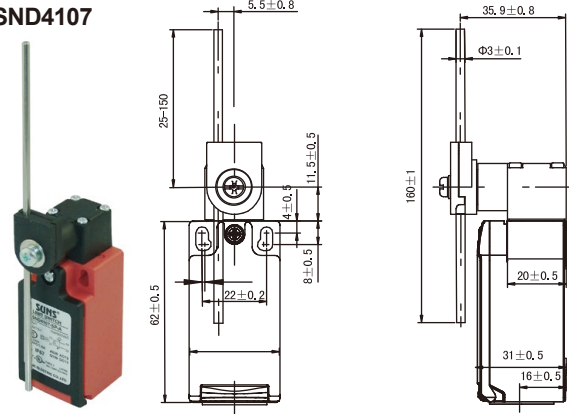
## GLOBAL STYLE SAFETY LIMIT SWITCHES (PLASTIC BODIED EN50047 TYPE) SND4 SERIES (SINGLE CONDUIT ENTRY)

### SND4104



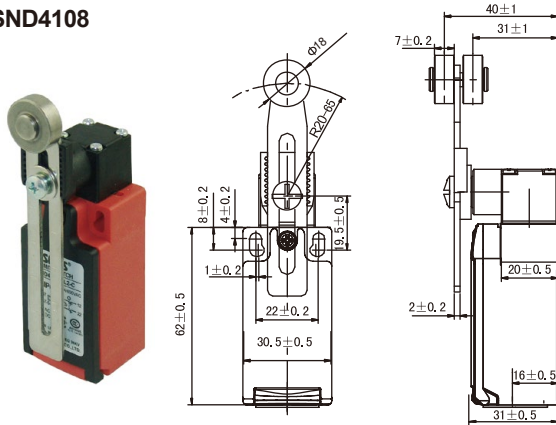
Order Code	Contact block			
SND4104-SP- _	SP	⊕	snap action	1NO+1NC
SND4104-SL- _	SL	⊕	slow action	1NO+1NC BBM
SND4104-SL1- _	SL1	⊕	slow action	1NO+1NC MBB
SND4104-SL2- _N	SL2	⊕	slow action	2NC Neutral position

### SND4107



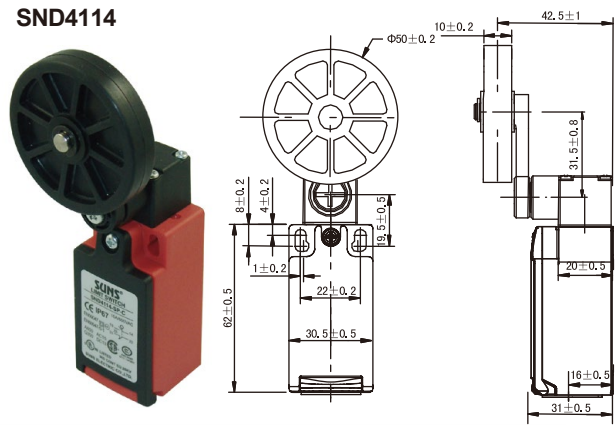
Order Code	Contact block			
SND4107-SP- _	SP	⊕	snap action	1NO+1NC
SND4107-SL- _	SL	⊕	slow action	1NO+1NC BBM
SND4107-SL1- _	SL1	⊕	slow action	1NO+1NC MBB
SND4107-SL2- _N	SL2	⊕	slow action	2NC Neutral position

### SND4108



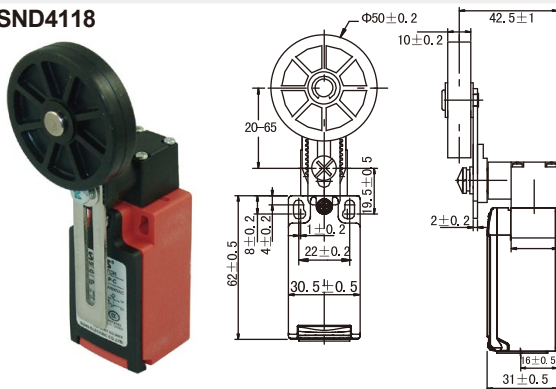
Order Code	Contact block			
SND4108-SP- _	SP	⊕	snap action	1NO+1NC
SND4108-SL- _	SL	⊕	slow action	1NO+1NC BBM
SND4108-SL1- _	SL1	⊕	slow action	1NO+1NC MBB
SND4108-SL2- _N	SL2	⊕	slow action	2NC Neutral position

### SND4114



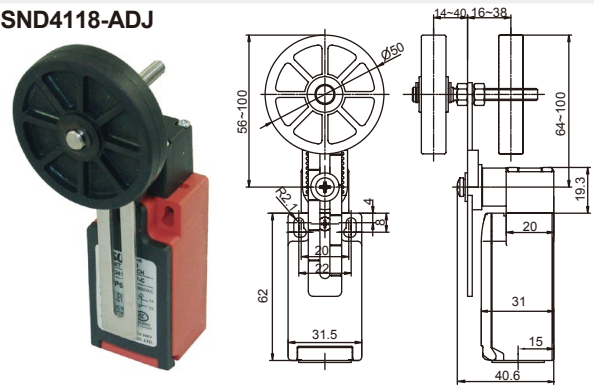
Order Code	Contact block			
SND4114-SP- _	SP	⊕	snap action	1NO+1NC
SND4114-SL- _	SL	⊕	slow action	1NO+1NC BBM
SND4114-SL1- _	SL1	⊕	slow action	1NO+1NC MBB
SND4114-SL2- _N	SL2	⊕	slow action	2NC Neutral position

### SND4118



Order Code	Contact block			
SND4118-SP- _	SP	⊕	snap action	1NO+1NC
SND4118-SL- _	SL	⊕	slow action	1NO+1NC BBM
SND4118-SL1- _	SL1	⊕	slow action	1NO+1NC MBB
SND4118-SL2- _N	SL2	⊕	slow action	2NC Neutral position

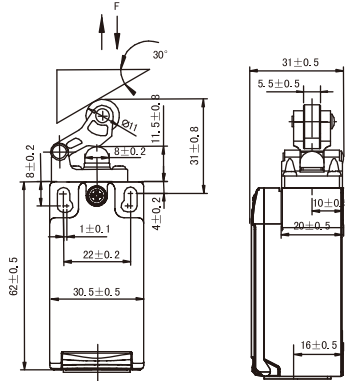
### SND4118-ADJ



Order Code	Contact block			
SND4118-SP- _ADJ	SP	⊕	snap action	1NO+1NC
SND4118-SL- _ADJ	SL	⊕	slow action	1NO+1NC BBM
SND4118-SL1- _ADJ	SL1	⊕	slow action	1NO+1NC MBB
SND4118-SL2- _ADJ_N	SL2	⊕	slow action	2NC Neutral position

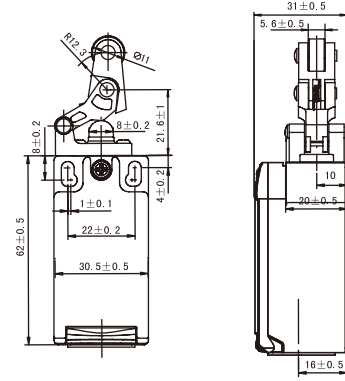
## GLOBAL STYLE SAFETY LIMIT SWITCHES (PLASTIC BODIED EN50047 TYPE) SND4 SERIES (SINGLE CONDUIT ENTRY)

**SND4162**



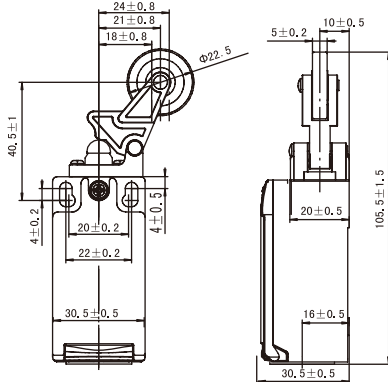
Order Code	Contact block			
SND4162-SP-__	SP		snap action	1NO+1NC
SND4162-SL-__	SL		slow action	1NO+1NC BBM
SND4162-SL1-__	SL1		slow action	1NO+1NC MBB
SND4162-SL2-__	SL2		slow action	2NC

**SND4163**



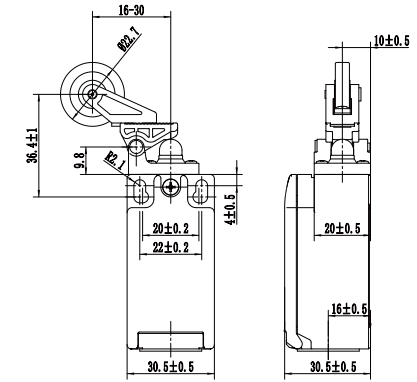
Order Code	Contact block			
SND4163-SP-__	SP		snap action	1NO+1NC
SND4163-SL-__	SL		slow action	1NO+1NC BBM
SND4163-SL1-__	SL1		slow action	1NO+1NC MBB
SND4163-SL2-__	SL2		slow action	2NC

**SND4172**



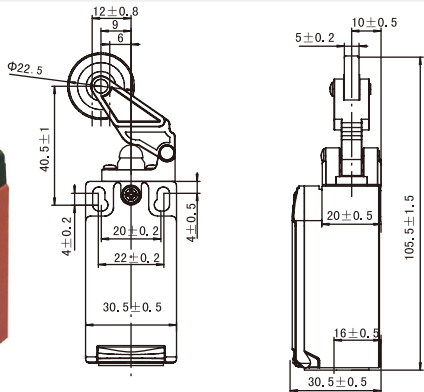
Order Code	Contact block			
SND4172-SP-__	SP		snap action	1NO+1NC
SND4172-SL-__	SL		slow action	1NO+1NC BBM
SND4172-SL1-__	SL1		slow action	1NO+1NC MBB
SND4172-SL2-__	SL2		slow action	2NC

**SND4172-ADJ**



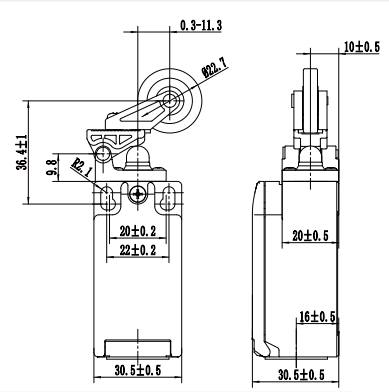
Order Code	Contact block			
SND4172-SP-__ADJ	SP		snap action	1NO+1NC
SND4172-SL-__ADJ	SL		slow action	1NO+1NC BBM
SND4172-SL1-__ADJ	SL1		slow action	1NO+1NC MBB
SND4172-SL2-__ADJ	SL2		slow action	2NC

**SND4173**



Order Code	Contact block			
SND4173-SP-__	SP		snap action	1NO+1NC
SND4173-SL-__	SL		slow action	1NO+1NC BBM
SND4173-SL1-__	SL1		slow action	1NO+1NC MBB
SND4173-SL2-__	SL2		slow action	2NC

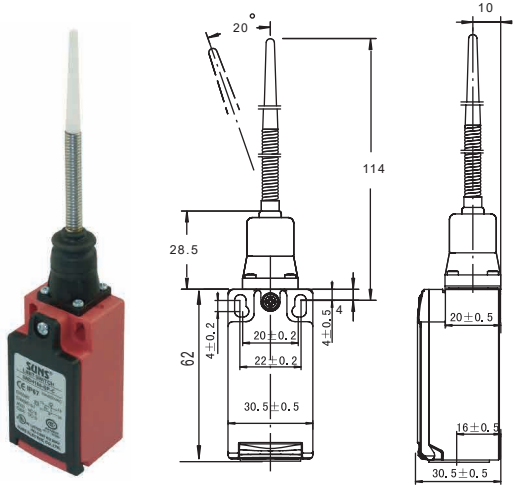
**SND4173-ADJ**



Order Code	Contact block			
SND4173-SP-__ADJ	SP		snap action	1NO+1NC
SND4173-SL-__ADJ	SL		slow action	1NO+1NC BBM
SND4173-SL1-__ADJ	SL1		slow action	1NO+1NC MBB
SND4173-SL2-__ADJ	SL2		slow action	2NC

## GLOBAL STYLE SAFETY LIMIT SWITCHES (PLASTIC BODIED EN50047 TYPE) SND4 SERIES (SINGLE CONDUIT ENTRY)

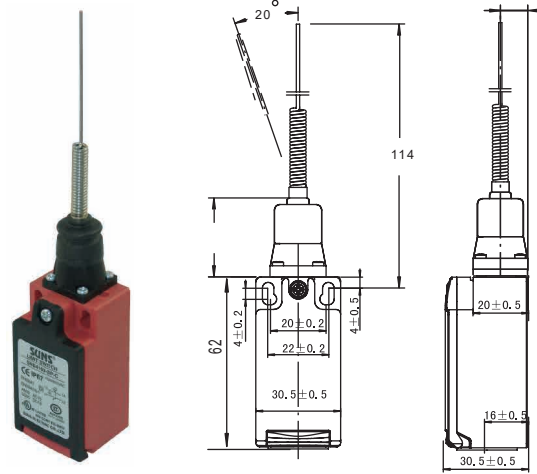
### SND4166



Order Code

SND4166-SP- \_ SP snap action 1NO+1NC

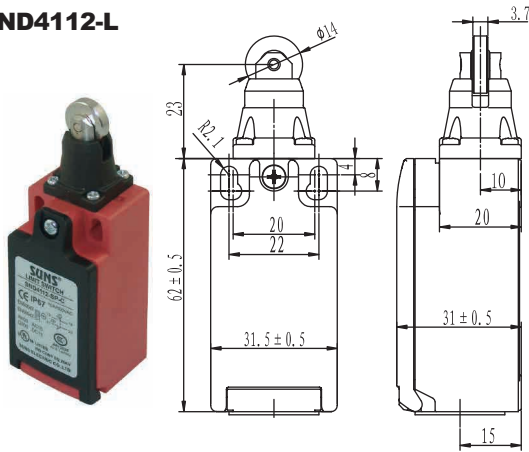
### SND4169



Order Code

SND4169-SP- \_ SP snap action 1NO+1NC

### SND4112-L

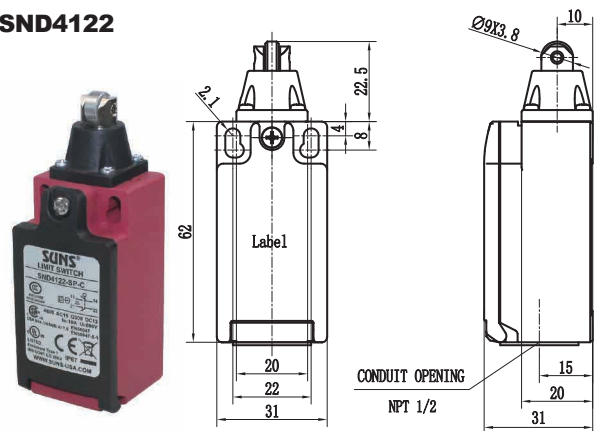


Order Code

Contact block

SND4112-SP- _L	SP	⊕	snap action	1NO+1NC
SND4112-SL- _L	SL	⊕	slow action	1NO+1NC BBM
SND4112-SL1- _L	SL1	⊕	slow action	1NO+1NC MBB
SND4112-SL2- _L	SL2	⊕	slow action	2NC

### SND4122



Order Code

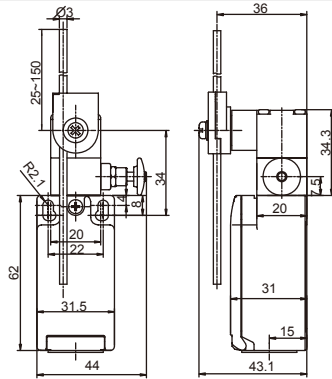
Contact block

SND4122-SP	SP	⊕	snap action	1NO+1NC
SND4122-SL	SL	⊕	slow action	1NO+1NC BBM
SND4122-SL1	SL1	⊕	slow action	1NO+1NC MBB
SND4122-SL2	SL2	⊕	slow action	2NC



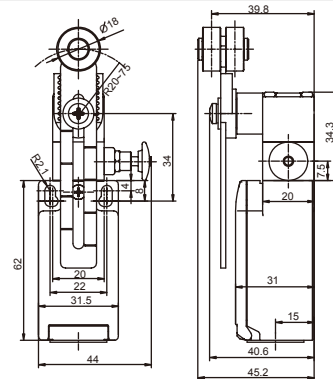
## GLOBAL STYLE SAFETY LIMIT SWITCHES (PLASTIC BODIED EN50047 TYPE) SND4 SERIES (SINGLE CONDUIT ENTRY WITH RESET)

### SND4107-R



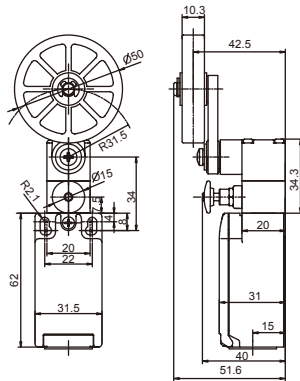
Order Code	Contact block
SND4107-SP- _R	SP  snap action 1NO+1NC
SND4107-SL- _R	SL  slow action 1NO+1NC BBM
SND4107-SL1- _R	SL1  slow action 1NO+1NC MBB
SND4107-SL2- _R	SL2  slow action 2NC

### SND4108-R



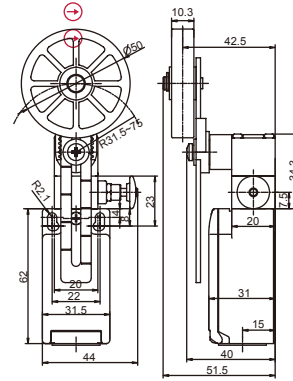
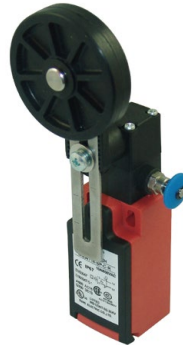
Order Code	Contact block
SND4108-SP- _R	SP  snap action 1NO+1NC
SND4108-SL- _R	SL  slow action 1NO+1NC BBM
SND4108-SL1- _R	SL1  slow action 1NO+1NC MBB
SND4108-SL2- _R	SL2  slow action 2NC

### SND4114-R



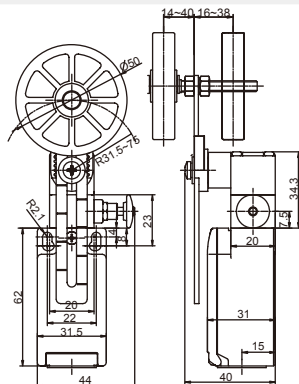
Order Code	Contact block
SND4114-SP- _R	SP  snap action 1NO+1NC
SND4114-SL- _R	SL  slow action 1NO+1NC BBM
SND4114-SL1- _R	SL1  slow action 1NO+1NC MBB
SND4114-SL2- _R	SL2  slow action 2NC

### SND4118-R



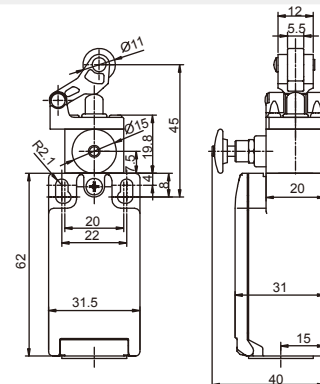
Order Code	Contact block
SND4118-SP- _R	SP  snap action 1NO+1NC
SND4118-SL- _R	SL  slow action 1NO+1NC BBM
SND4118-SL1- _R	SL1  slow action 1NO+1NC MBB
SND4118-SL2- _R	SL2  slow action 2NC

### SND4118-R-ADJ



Order Code	Contact block
SND4118-SP- R-ADJ	SP  snap action 1NO+1NC
SND4118-SL-R-ADJ	SL  slow action 1NO+1NC BBM
SND4118-SL1-R-ADJ	SL1  slow action 1NO+1NC MBB
SND4118-SL2-R-ADJ	SL2  slow action 2NC

### SND4162-R

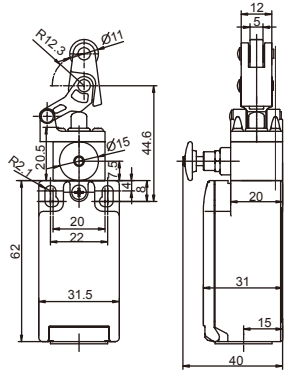


Order Code	Contact block
SND4162-SP- _R	SP  snap action 1NO+1NC
SND4162-SL- _R	SL  slow action 1NO+1NC BBM
SND4162-SL1- _R	SL1  slow action 1NO+1NC MBB
SND4162-SL2- _R	SL2  slow action 2NC



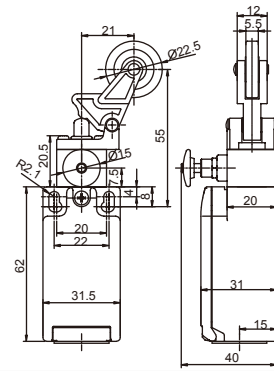
## GLOBAL STYLE SAFETY LIMIT SWITCHES (PLASTIC BODIED EN50047 TYPE) SND4 SERIES (SINGLE CONDUIT ENTRY WITH RESET)

### SND4163-R



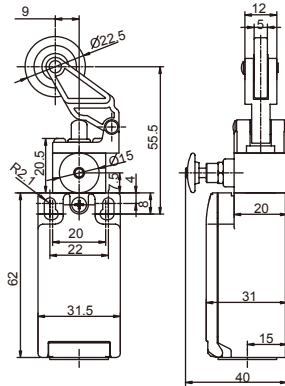
Order Code	Contact block			
SND4163-SP- _R	SP	↻	snap action	1NO+1NC
SND4163-SL- _R	SL	↻	slow action	1NO+1NC BBM
SND4163-SL1- _R	SL1	↻	slow action	1NO+1NC MBB
SND4163-SL2- _R	SL2	↻	slow action	2NC

### SND4172-R



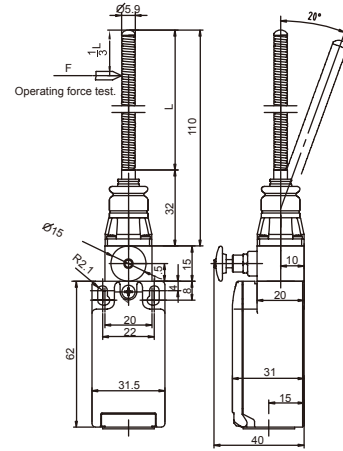
Order Code	Contact block			
SND4172-SP- _R	SP	↻	snap action	1NO+1NC
SND4172-SL- _R	SL	↻	slow action	1NO+1NC BBM
SND4172-SL1- _R	SL1	↻	slow action	1NO+1NC MBB
SND4172-SL2- _R	SL2	↻	slow action	2NC

### SND4173-R



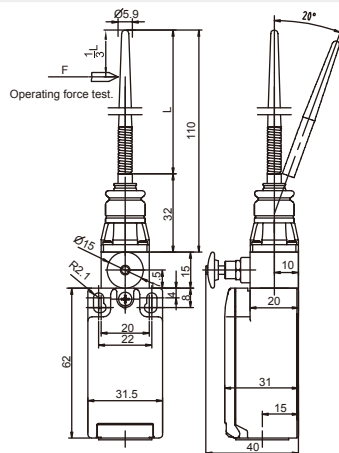
Order Code	Contact block			
SND4173-SP- _R	SP	↻	snap action	1NO+1NC
SND4173-SL- _R	SL	↻	slow action	1NO+1NC BBM
SND4173-SL1- _R	SL1	↻	slow action	1NO+1NC MBB
SND4173-SL2- _R	SL2	↻	slow action	2NC

### SND4100-R



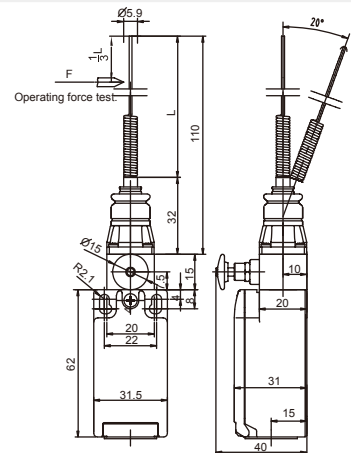
Order Code	Contact block			
SND4100-SP- _R	SP	↻	snap action	1NO+1NC

### SND4166-R



Order Code	Contact block			
SND4166-SP- _R	SP	↻	snap action	1NO+1NC

### SND4169-R

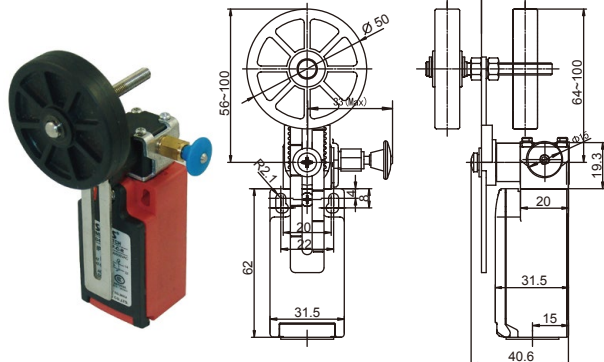


Order Code	Contact block			
SND4169-SP- _R	SP	↻	snap action	1NO+1NC



## GLOBAL STYLE SAFETY LIMIT SWITCHES (PLASTIC BODIED EN50047 TYPE) SND4 SERIES (SINGLE CONDUIT ENTRY WITH RESET)

### SND4118-SR-ADJ



#### Order Code

SND4118-SP- SR-ADJ  
SND4118-SL-SR-ADJ  
SND4118-SL1-SR-ADJ  
SND4118-SL2-SR-ADJ

#### Contact block

SP	→	snap action	1NO+1NC
SL	→	slow action	1NO+1NC BBM
SL1	→	slow action	1NO+1NC MBB
SL2	→	slow action	2NC